

TIMING MODULE

ACP **SP**
E75633 LR46938

FULLY SOLID STATE ENCAPSULATED
ONE AMPERE LOAD RATING

Series 6038 - INTERVAL ON / INITIATE CMOS DIGITAL CIRCUITRY

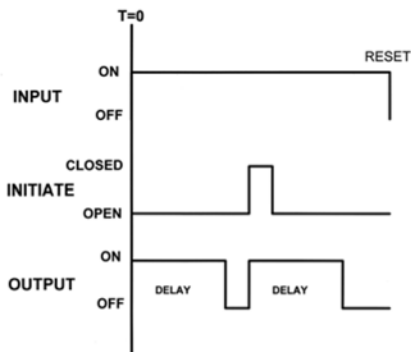


- Life Expectancy –unlimited
- Environment Protected
- Tamper Proof
- No False Operate
- Small Size – 2"x 2" x 53/64"
- Lightweight – approximately 2.5 oz.
- Rugged

When the input is applied, with the initiate switch either open or closed, the output will go ON for the preset delay time. Closure and re-opening of the initiate switch will cause the delay time to restart while not affecting the condition of the load. At the end of the preset delay time the initiate switch must be open before a new delay can start. A new delay is started at the closure of the initiate switch.

Control the timing of valves, SFHP motors, lamps, relays, magnetic line starters, and actuators rated less than 1 ampere (10 amps inrush). CMOS digital circuitry, with solid state output switching. P/C boards and internal components are encapsulated in a flame retardant molded housing, fitted with quick connect wiring terminals. Available in all standard voltages and frequencies. Fixed or adjustable timing from .1 seconds to 24 hours.

TIMING DIAGRAM



SPECIFICATIONS

1. Repeat Accuracy: $\pm 0.1\%$ or 16 ms. Whichever is greater
2. Combined Effect of Temperature and Voltage upon Repeat Accuracy: $\pm 1\%$
3. Reset Time: 150 ms.
4. Operating Voltage Tolerance: $\pm 20\%$
5. Load Current: Steady State – 8 ma. Min., 1 Ampere Max.
6. Voltage Drop: 1.5V Typical at 1 Ampere
7. Leakage Current: 5 ma.
8. Dielectric Strength: 1500 VRMS
9. Insulation Resistance: 100 Megohms Min.
10. Input Transient Protection: 3000V 120V UNITS, 6000V 240V units
11. Temperature Ambients: Operating -40°C to $+70^{\circ}\text{C}$, Storage -55°C to $+70^{\circ}\text{C}$
12. Humidity-Operating: 95% Relative
13. Linearity(Option A or D): $\pm 5\%$ Minimum from 10% to 90% of range
14. Timing Tolerance: $\pm 9\%$ + Tolerance of Rt Std., $\pm 5\%$ Special (Fixed)

6038 – (T) (V) (P)

HOW TO ORDER

6038H (T) (V) (P)

SERIES	(T) = TIME RANGE	(V)=VOLTAGE	(P) = OPTIONS
6038 STANDARD CONSTRUCTION 6038H SIDE EXIT	P = 0.1 - 5 SEC. 1 = 0.1 - 10 SEC. L = 0.2 - 20 SEC. J = 0.3 - 30 SEC. M = 0.6 - 60 SEC. 2 = 1 - 100 SEC. K = 1.2 - 120 SEC. F = 2 - 180 SEC. E = 3 - 300 SEC. 3 = 10 - 1000 SEC. 4 = 0.1 - 10 MIN. G = 0.3 - 30 MIN. H = 0.6 - 60 MIN. 5 = 1 - 100 MIN. V = 3 - 300 MIN. 6 = 10 - 1000 MIN. D = 1 - 24 HRS.	1 = 12VDC 2 = 24VDC 3 = 48VDC 4 = 24VAC 5 = 120VAC 6 = 240VAC	O - CUSTOMER SUPPLIES OWN POTENTIOMETER OR RESISTOR A - POTENTIOMETER SUPPLIED AS LOOSE PART *B - EXTERNALLY INSTALLED RESISTOR *C - FACTORY FIXED INTERNAL D - TRIMMER POTENTIOMETER INSTALLED ON TERMINALS R - INTERNAL POTENTIOMETER WITH THRU SHAFT S - INTERNAL POTENTIOMETER WITH SCREWDRIVER SLOT <div style="border: 1px solid black; padding: 5px; text-align: center;"> <i>* For Fixed Time Specify The Value In Seconds, Minutes, Or Hours</i> </div>
	MADE IN USA		

EXAMPLE P/N: 6038H-45C/8M This is an INTERVAL ON / INITIATE 1A Rated Solid State Timer with a FIXED 8 minute DELAY and an INPUT VOLTAGE of 120 VAC. The time delay is FACTORY FIXED INTERNAL. The terminals exit the side of the case.

American Control Products / Precision Timer
a division of Prime Technology
344 Twin Lakes Road
North Branford, CT 06471
Telephone: (203) 481-5721
Fax: (203) 481-8937
Email: sales@primetechnology.com
www.primetechnology.com



TECHNICAL BULLETIN

SOLID STATE TIMING MODULE

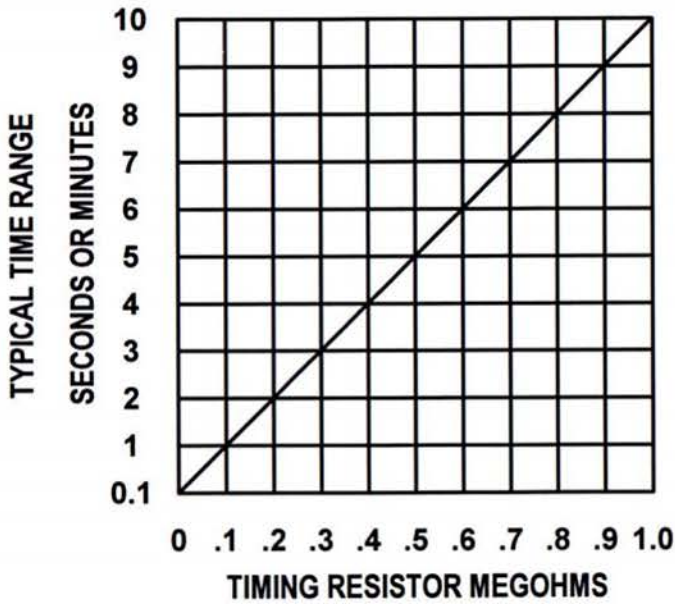
PAGE 1
OF 2

DATE
6-4-01

6038

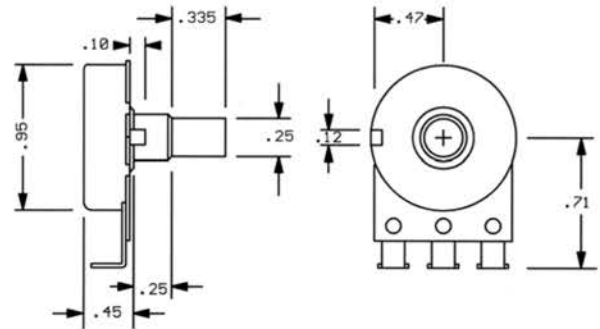
REV
B

CALIBRATION RESISTANCE VS TIME

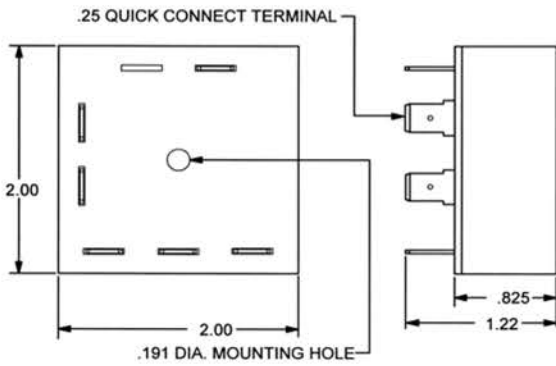


ACCESSORIES – AVAILABLE FROM STOCK

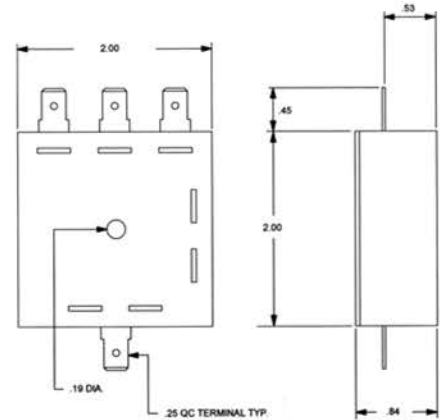
ORDER P/N: PM – 1M 1 MEGOHM ± 20%
 PM – 100K 100 KOHM ± 20%



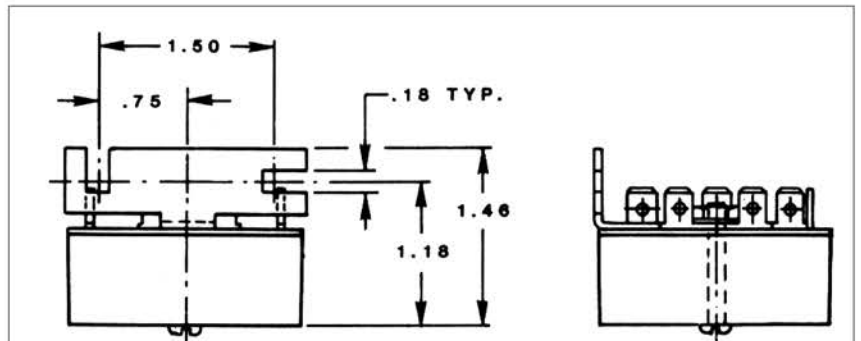
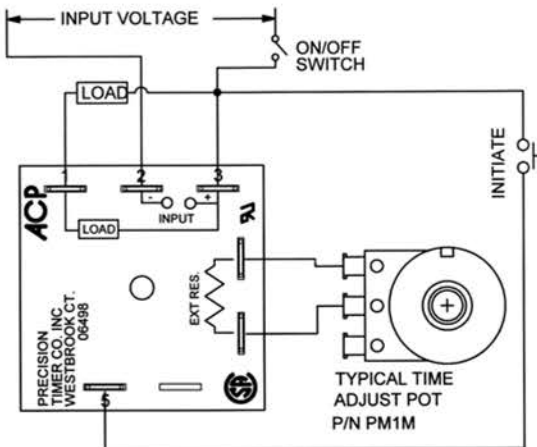
OUTLINE DRAWING STANDARD CONSTRUCTION



OUTLINE DRAWING SIDE EXIT H



TYPICAL WIRING



Order bracket mount model as: 6038BM – (T) (V) (P)

MADE IN USA

American Control Products / Precision Timer
 a division of Prime Technology
 344 Twin Lakes Road
 North Branford, CT 06471
 Telephone: (203) 481-5721
 Fax: (203) 481-8937
 Email: sales@primetechnology.com
 www.primetechnology.com

TECHNICAL BULLETIN

SOLID STATE TIMING MODULE

PAGE 2
 OF 2

DATE
 6-4-01

6038

REV
 B

